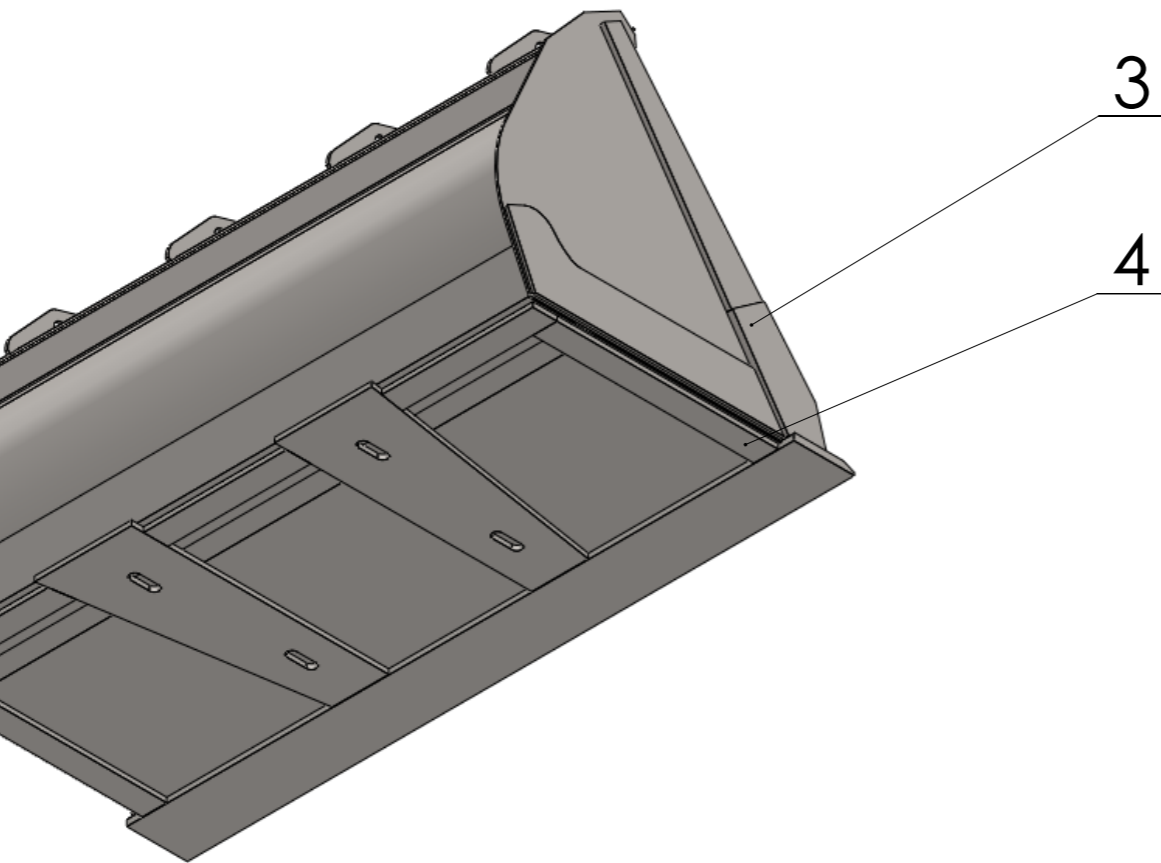


1



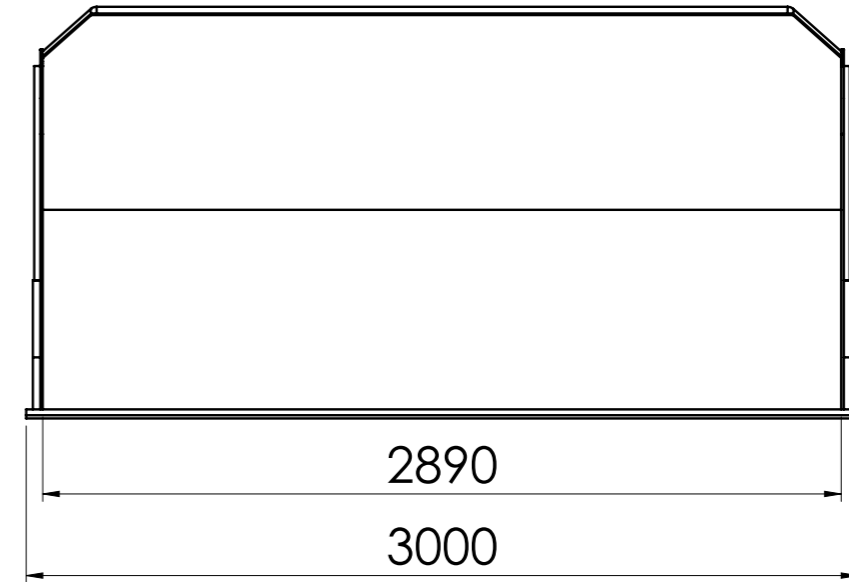
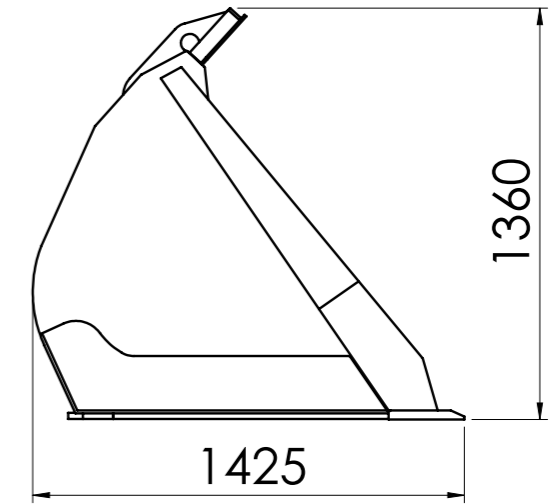
3



2



4




4	Bottom bar	HB 400	20 mm
3	Side member	HB 400	25 mm
2	Bottom plate	HB 400	8 mm
1	Front edge	HB 500	30x250x3000 mm

NO.	TITLE	MATERIAL	DESCRIPTION
-----	-------	----------	-------------

	Volume	3000 L	Mass	1400 kg	Scale
---------------------------------------------------------------------------------------	--------	--------	------	---------	-------

Drawn	Teet Toming	Name
Checked		
Approved		
		GRB-453

	Sheet	Date
	1 of 1	7.09.2015