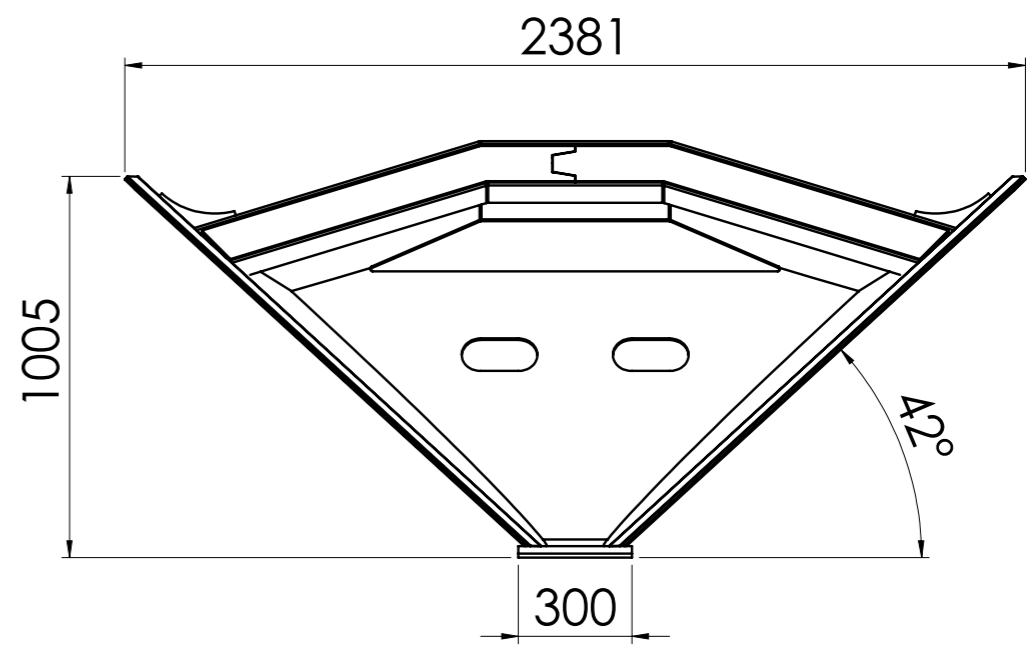
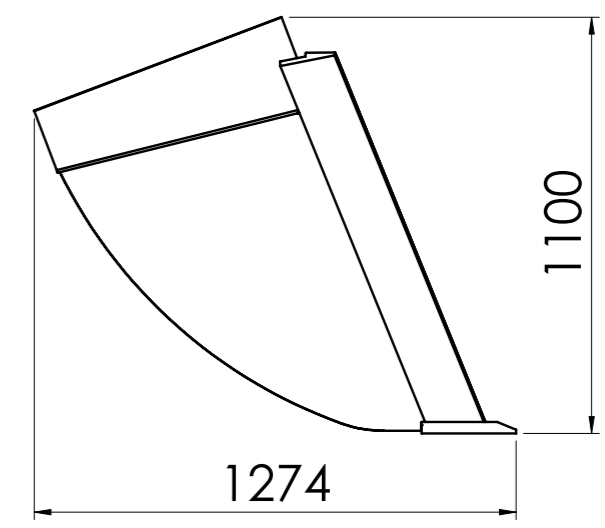
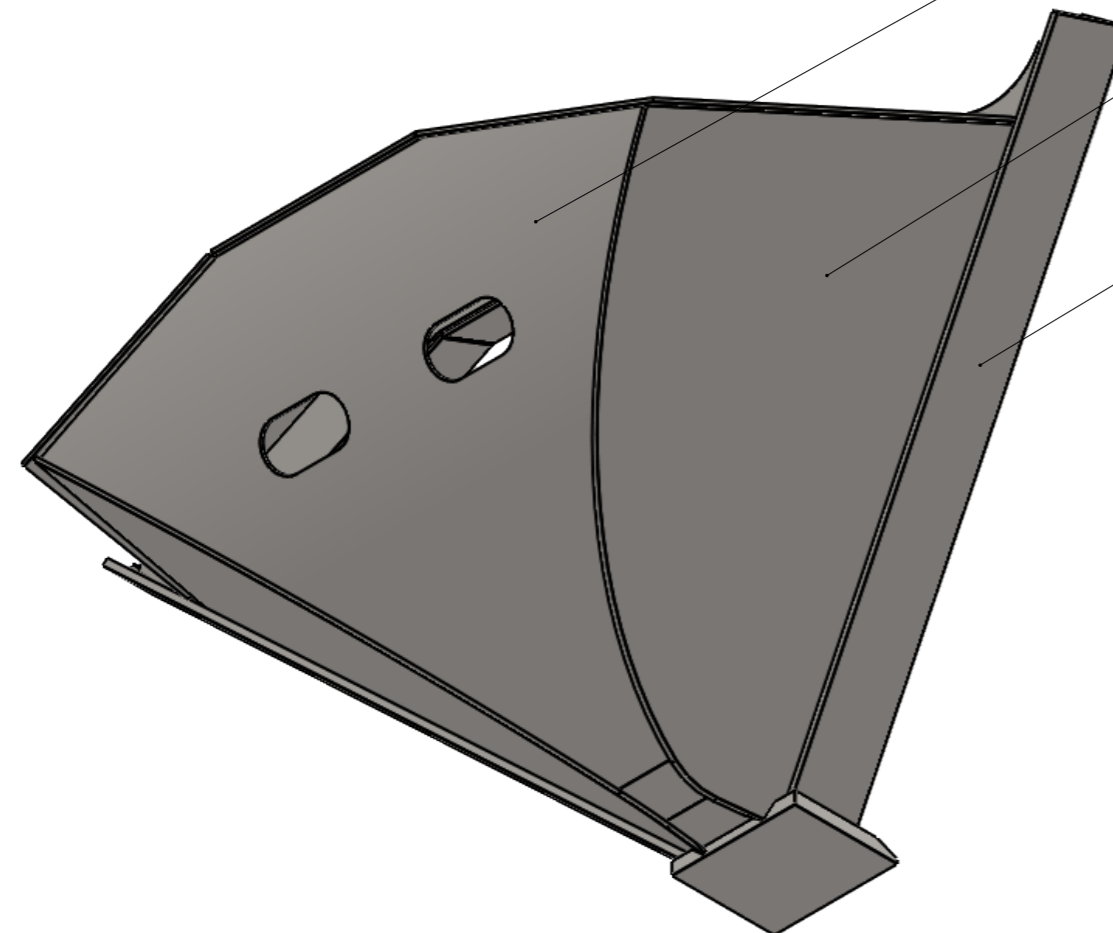


1

2

3

4



4	Side member	HB 500	Arrow profil
3	Side	S355	8 mm
2	Bottom plate	HB 400	8 mm
1	Front edge	HB 500	30x250x300 mm
NO.	TITLE	MATERIAL	DESCRIPTION

	Volume	550 L	Mass	400 kg	Scale
--	--------	-------	------	--------	-------

Drawn	Teet Toming	Name VLB321
Checked		
Approved		

	Sheet	Date
	1 of 1	29.02.2016